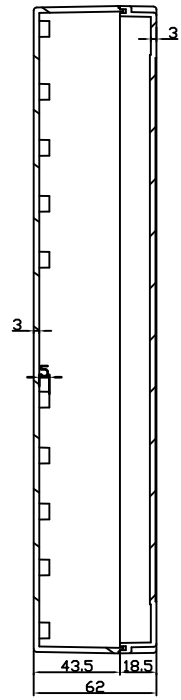
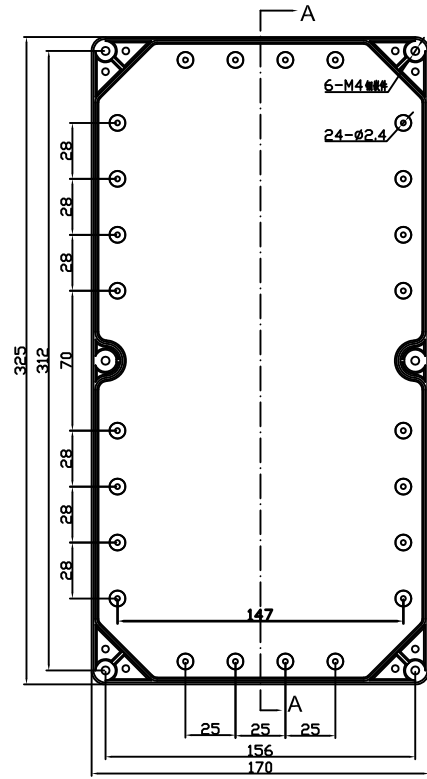
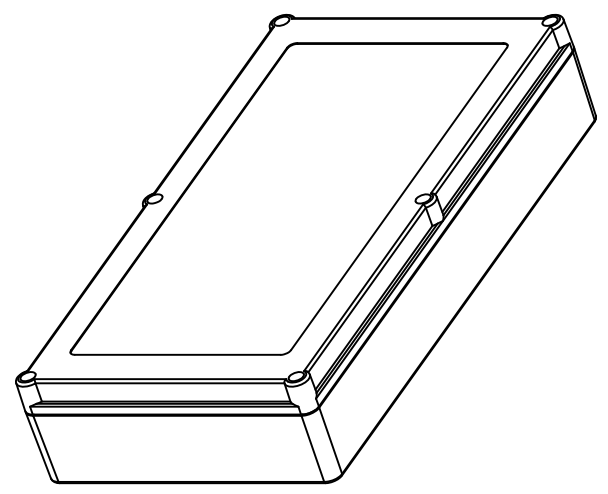
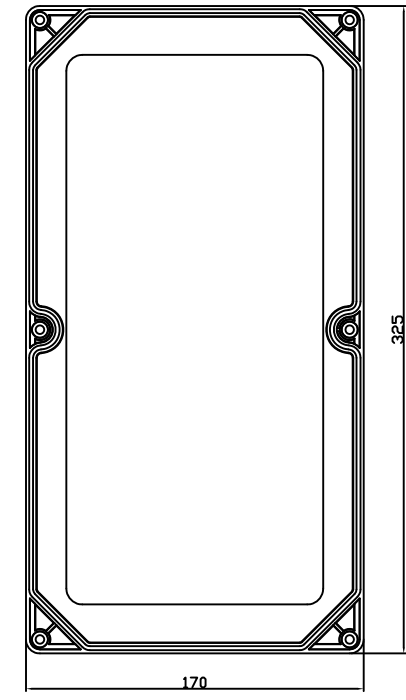


REVISION RECORD				
REV	ECD	DESCRIPTION	DRFT	CHKD



A-A



TOLERANCES EXCEPT AS NOTED		DRAWN	NAME	DATE	E:\new logo.jpg	EVEREST WWW.EVERESTCASE.COM
MM		Kelvin		01/12/2015		
.0 ± 0.3	±	CHECKED			TITLE <b>PW125</b>	
.00 ± 0.2	±	ENG APPR.				
.000 ± 0.1	±	MATERIAL : ABS			DRAWING NO. PW125 /PART NO. 00	
ANGLES ± 5°		QT'Y :				
FIRST ANGLE PROJECTION		FINISH:			DRAWING NO. PW125 /PART NO. 00	
		SCALE : 1:1				
DO NOT SCALE DRAWING					SHEET 1	OF 1