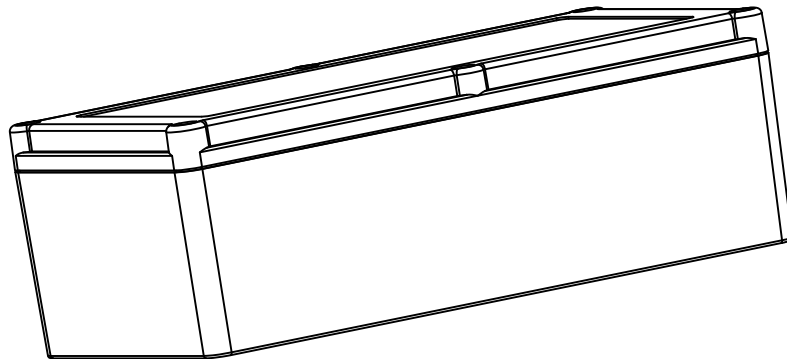
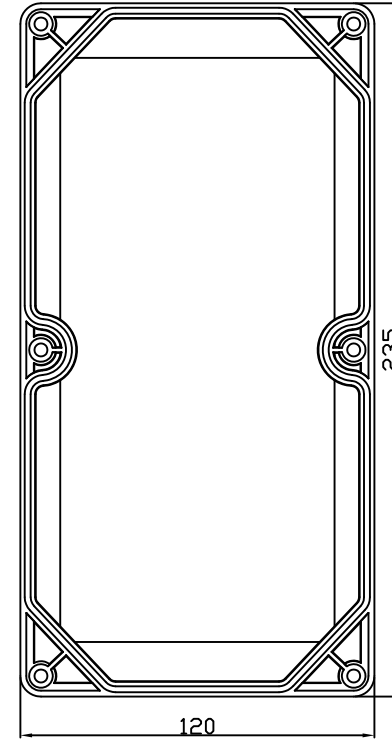
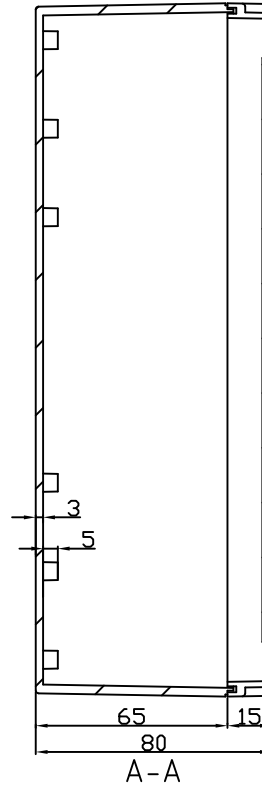
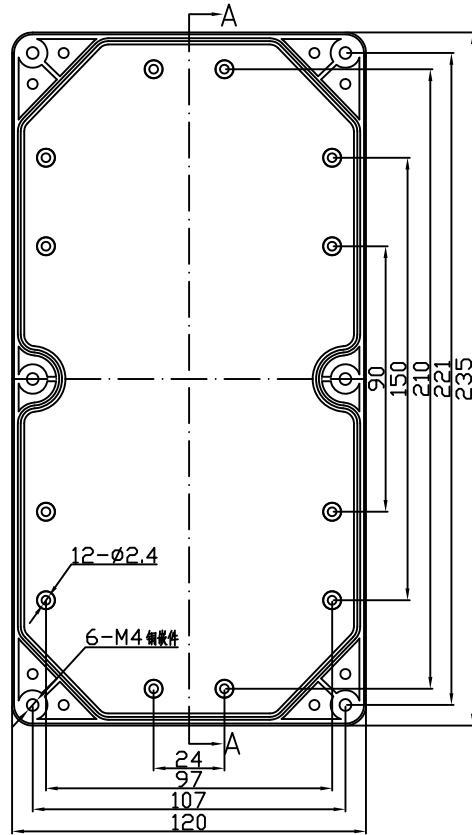


| REVISION RECORD | | | | |
|-----------------|-----|-------------|------|------|
| REV | ECD | DESCRIPTION | DRFT | CHKD |
| | | | | |



| | | | | | | | |
|------------------------|----------------------------|-------------|------------|------|----------------------|---------------------------------------|------|
| DETACHED LISTS | ← MM (INCH) → | DRAWN | NAME | DATE | E:\new logo.jpg | EVEREST WWW.EVERESTCASE.COM | |
| | TOLERANCES EXCEPT AS NOTED | Aaron | 01/06/2015 | | | | |
| | MM | CHECKED | | | | TITLE PW119 | |
| | .0 ± 0.3 ± | ENG APPR. | | | | | |
| .00 ± 0.2 ± | MATERIAL : ABS | | | | DRAWING NO. PW119 | SIZE | REV |
| .000 ± 0.1 ± | ANGLES ± 5° | QT'Y : | | | /PART NO. 00 | A4 | |
| FIRST ANGLE PROJECTION | FINISH: | SCALE : 1:1 | | | DO NOT SCALE DRAWING | SHEET 1 | OF 1 |