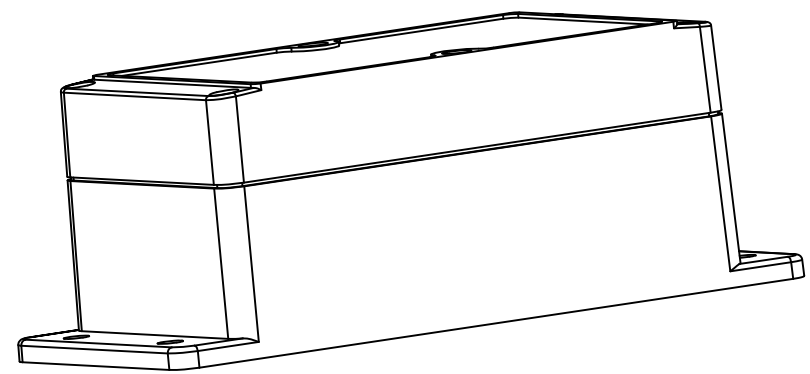
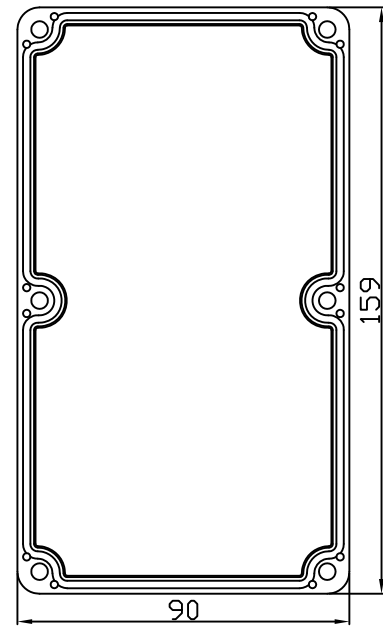
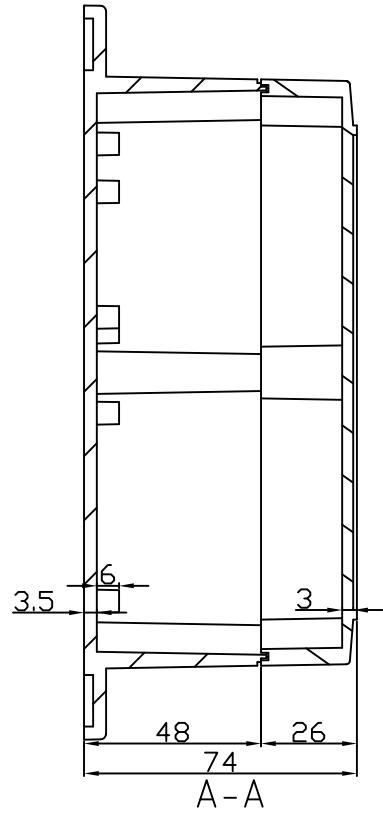
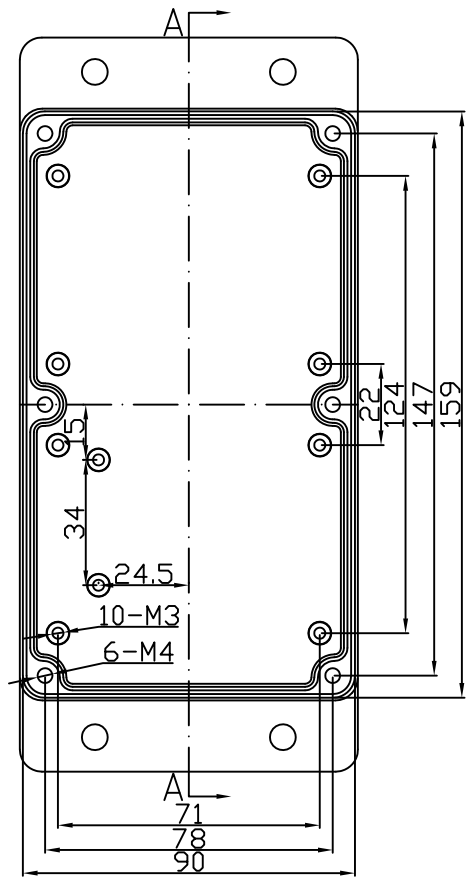


REVISION RECORD				
REV	ECD	DESCRIPTION	DRFT	CHKD



TOLERANCES EXCEPT AS NOTED		DRAWN	NAME	DATE	EVEREST	
MM	±	Aaron		01/28/2015	WWW.EVERESTCASE.COM	
.0 ± 0.3	±	CHECKED			TITLE	
.00 ± 0.2	±	ENG APPR.			PW061	
.000 ± 0.1	±	MATERIAL : ABS			DRAWING NO. PW061	
ANGLES ± 5°		QT'Y :			/PART NO. 00	
FIRST ANGLE PROJECTION		FINISH:			SIZE A4	
SCALE : 1:1		DO NOT SCALE DRAWING			REV	
SHEET 1				OF 1		