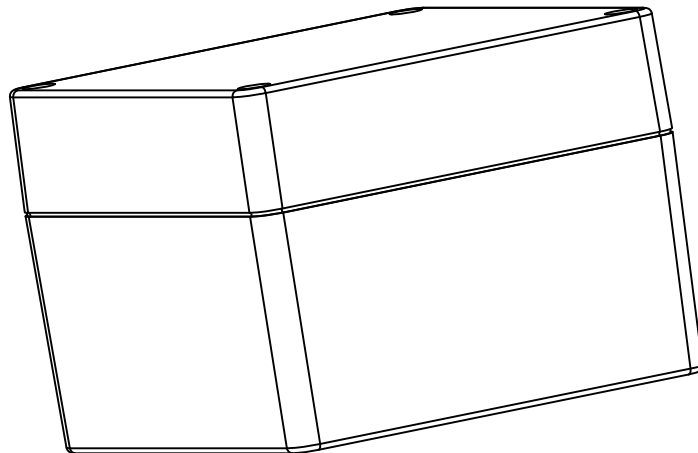
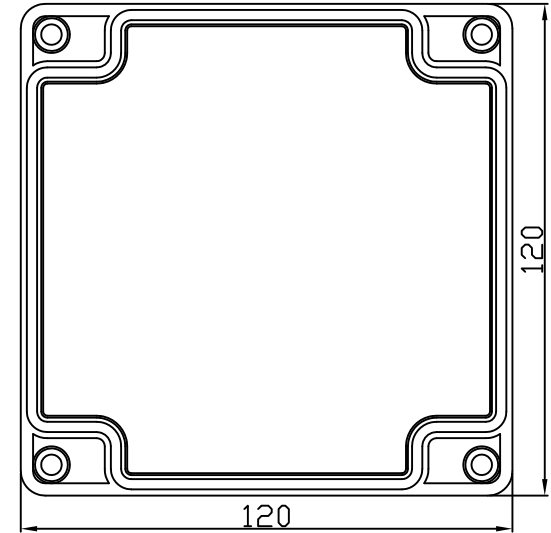
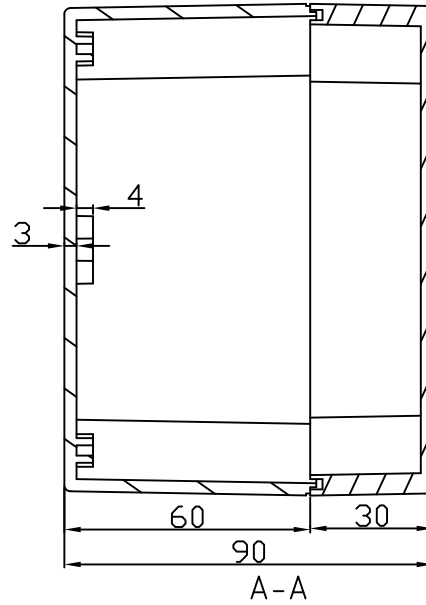
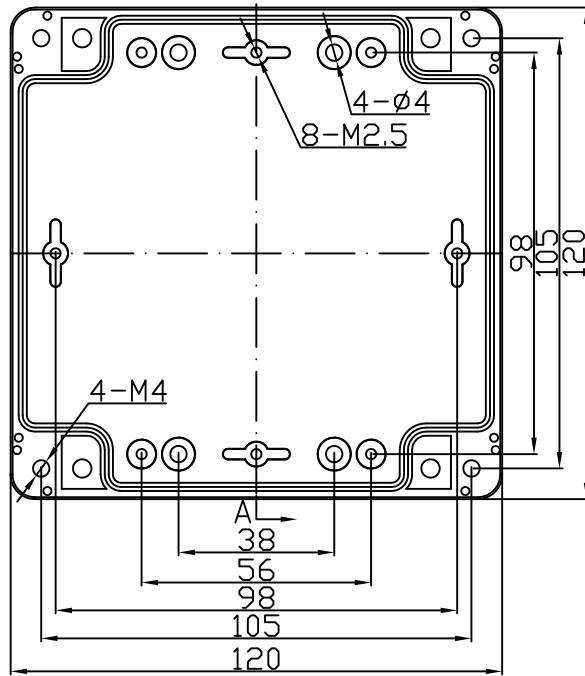


REVISION RECORD				
REV	ECO	DESCRIPTION	DRFT	CHKD



TOLERANCES EXCEPT AS NOTED		DRAWN	NAME	DATE	EVEREST	
MM		Aaron		01/21/2015	WWW.EVERESTCASE.COM	
.0 ± 0.3	±	CHECKED			TITLE	
.00 ± 0.2	±	ENG APPR.			PW031	
.000 ± 0.1	±				DRAWING NO. PW031	
ANGLES ± 5°		MATERIAL : ABS		QT'Y :	/PART NO. 00	
FIRST ANGLE PROJECTION		FINISH:		SCALE : 1:1	SIZE	REV
DO NOT SCALE DRAWING					A4	
SHEET 1				OF 1		