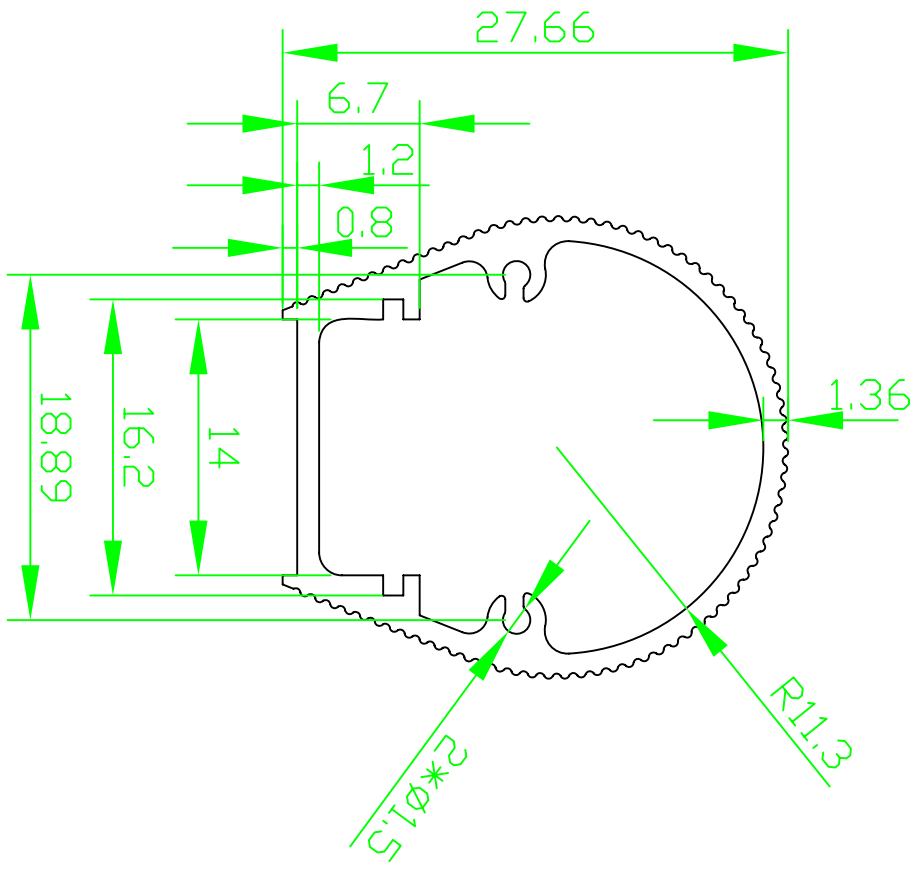


REVISION RECORD				
REV	ECD	DESCRIPTION	DRFT	CHKD



DETACHED LISTS		MM	INCHES	MM	INCHES
ANGLES ± 5°	±	±	±	±	±
0.0 ± 0.3	±	±	±	±	±
0.00 ± 0.02	±	±	±	±	±
0.00 ± 0.1	±	±	±	±	±

DF TO	DATE	DATE	DATE
CHKD	DATE	DATE	DATE
MFD	DATE	DATE	DATE
APPVL	DATE	DATE	DATE

QTY	MATERIAL	AL
FINISH		
SCALE	1:1	

FIRST ANGLE PROJECTION	

SCALE 1:1	

EVEREST	
WWW.EVERESTOASE.COM	

TITLE	
AEH-195	
DRAWING NO.	AEH-195
/PART NO.	00
DD NOT SCALE DRAWING	
SIZE	A4
REV	

SHEET 1	OF 1
---------	------