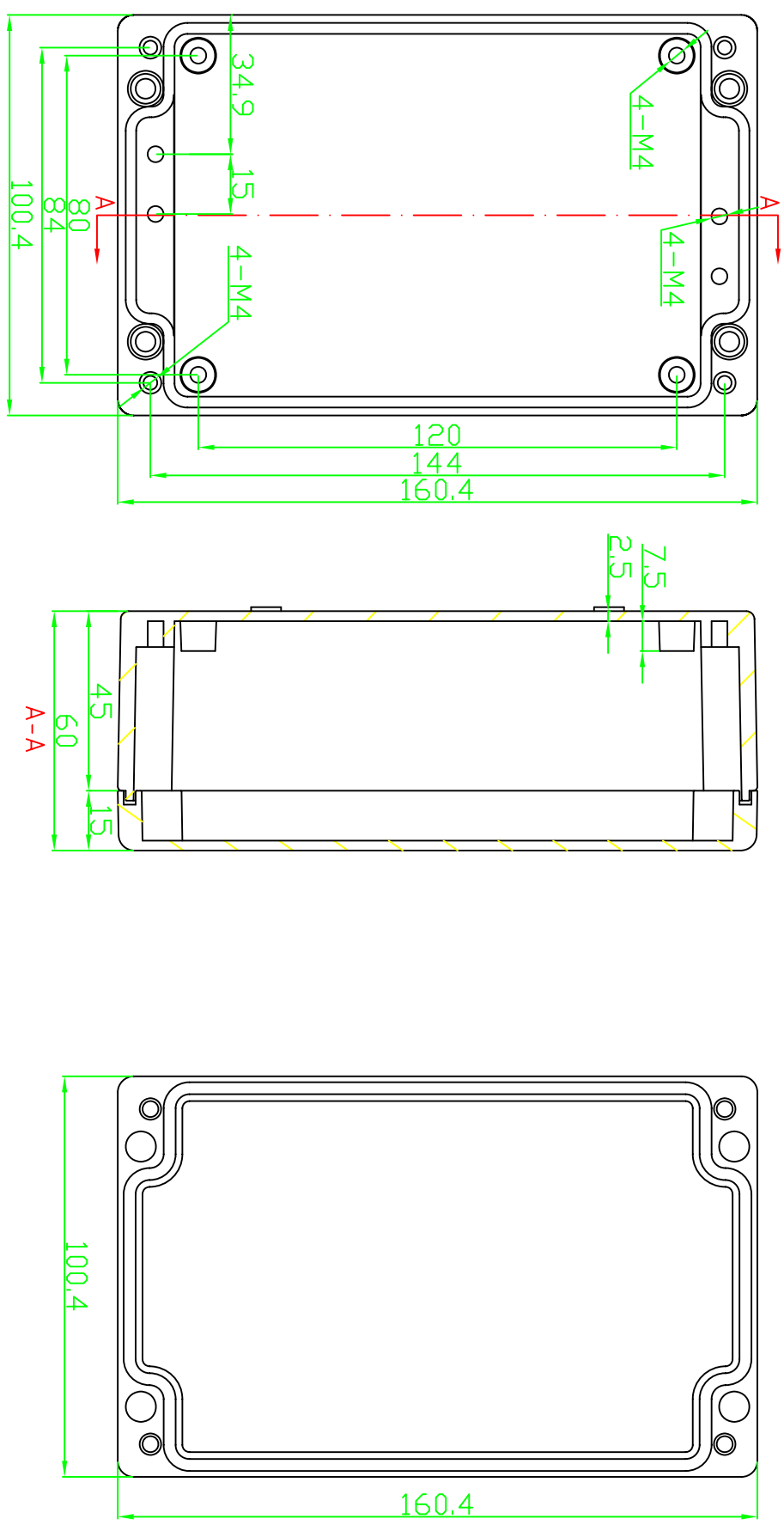


REVISION RECORD				
REV	ECD	DESCRIPTION	DRFT	CHKD



DETACHED LISTS		NAME	DATE
MM	(INCH)	Adriotti	12/02/2014
0.1 ± 0.3	±		
0.02 ± 0.2	±		
0.00 ± 0.1	±		
ANGLES ± 5°		MATERIAL: AL	
FINISH:		QTY: 1	
SCALE: 1:1		DRAWING NO: AEH066	
FIRST ANGLE PROJECTION		/PART NO: 00	
DRAWN		SIZE: A4	
CHECKED		REV:	
ENG APPR		SHEET 1 OF 1	

埃弗勒斯 EVEREST
WWW.EVERESTCASE.COM

TITLE
AW066