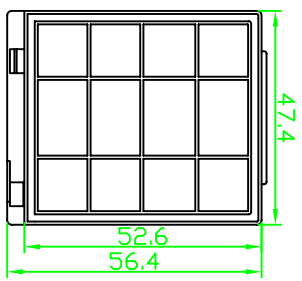
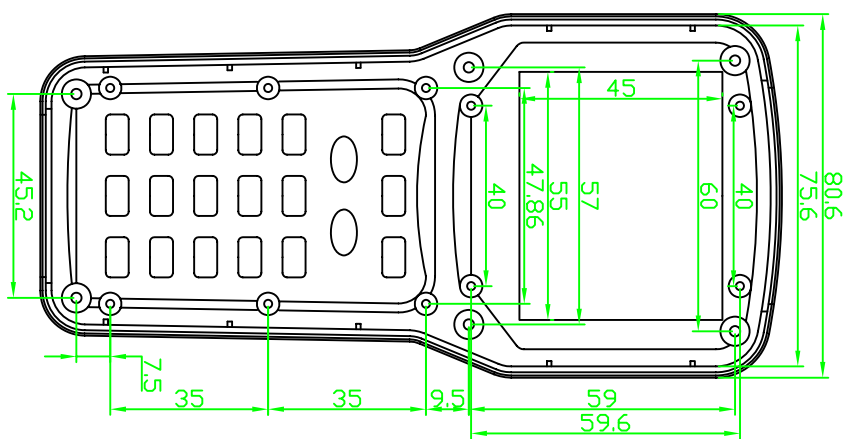
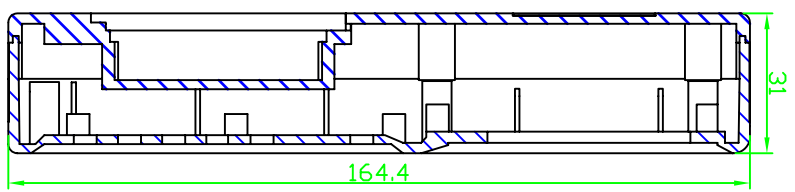
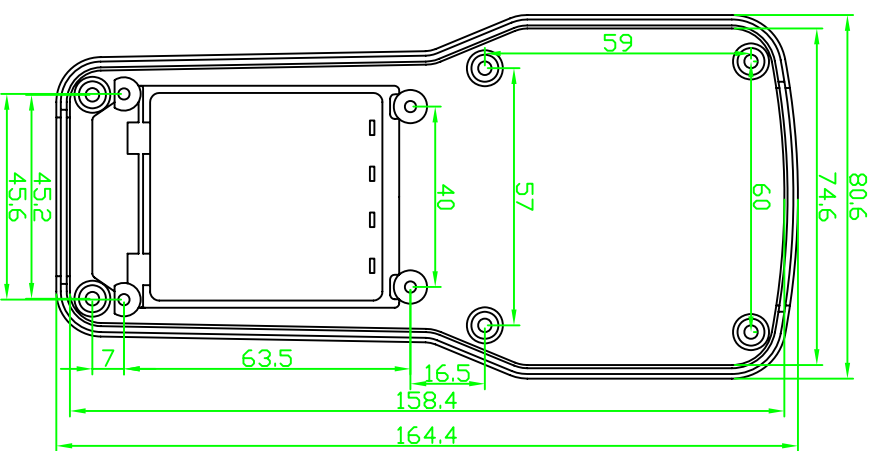


REVISION RECORD				
REV	ECD	DESCRIPTION	DRFT	CHKD



电池盖

DETACHED LISTS		TOLERANCES EXCEPT AS NOTED		ANGLES ± 5°		FIRST ANGLE PROJECTION	
MM	± 0.3	MM	± 0.2	±	±	±	±
MM	± 0.2	MM	± 0.1	±	±	±	±
MM	± 0.1	MM	± 0.1	±	±	±	±
DRFTD	DATE	DRFTD	DATE	MATERIAL: ABS			
CHKD	DATE	CHKD	DATE	QTY: 1			
MFD	DATE	MFD	DATE	FINISH:			
APPLY	DATE	APPLY	DATE	SCALE: 1:1			
TITLE				DRAWING NO. PH029			
埃弗勒斯 EVEREST				/PART NO. 00			
WWW.EVERESTCASE.COM				SHEET 1 OF 1			
PH029				SIZE A4			
DRAWING NO. PH029				REV			
/PART NO. 00				A4			
SHEET 1 OF 1				REV			